

# RT 700

## Training system: fundamentals of hydraulics



### Learning objectives/experiments

- comprehensive experimental introduction to the fundamentals of hydraulic drive and control engineering
  - ▶ familiarisation with terms and symbols
  - ▶ representation of hydraulic circuits
  - ▶ drive unit
  - ▶ multi-way valves and drives
  - ▶ shut-off and flow control valves
  - ▶ pressure valves and pressure switches
  - ▶ hydraulic accumulators
  - ▶ application circuits
  - ▶ commissioning and maintenance

### Description

- complete training system providing an experimental introduction to the fundamentals of hydraulics
- experimental scope and configuration based on the tried and proven concept course developed by the Bundesinstitut für Berufsbildung (BIBB; Federal Institute for Vocational Training)
- large-format metal assembly panel for quick and safe component mounting
- solid base construction with oil drip tray, drive unit and component storage system

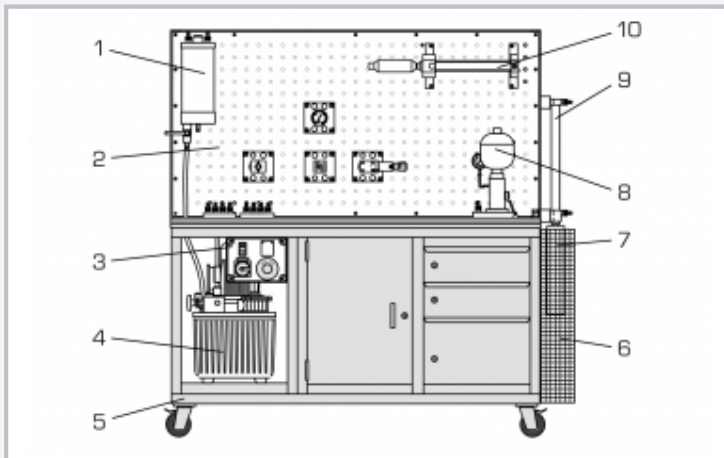
The central element of the unit is the large assembly panel. Here, two different circuits can be easily constructed using items from the kit of modern standard industrial components and connecting hoses. A special quick-clamping system ensures all components are securely attached. The component connections face outward to allow easy interconnection by means of quick-couplers. An oil drip tray is positioned beneath the full width of the assembly panel.

The sturdy mobile base unit houses the drive unit and the electrical switch box. There is generous space for all the system components to be accommodated in drawers and cabinets.

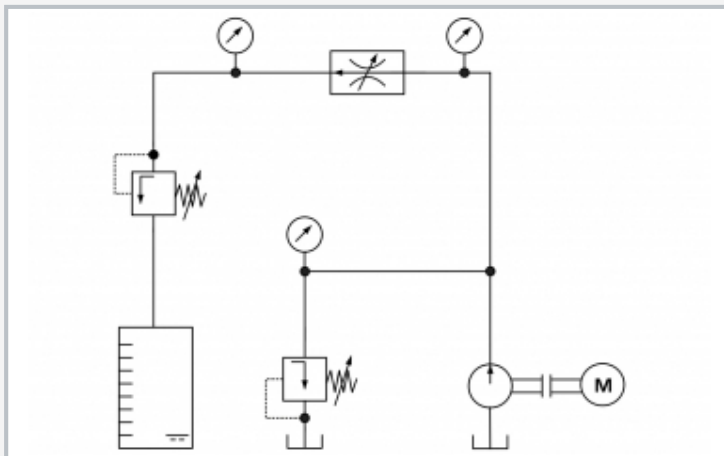
RT 700 is a fully equipped training system with all necessary components and aids to conduct a comprehensive training course in the fundamentals of hydraulic controls. The didactic structure of the course is based on the long-established BIBB concept of training in hydraulic drive engineering.

# RT 700

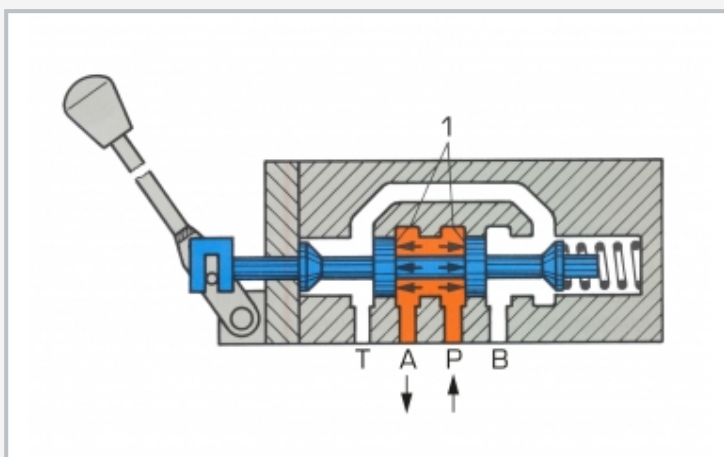
## Training system: fundamentals of hydraulics



1 measuring tank, 2 assembly panel, 3 switch box, 4 drive unit with gear pump, 5 mobile built-under unit, 6 guard grille, 7 weight, 8 diaphragm accumulator, 9 loaded cylinder, 10 differential cylinder



Circuit diagram of experimental setup for two-way flow control valve



Sectional drawing of a 4/2-way valve: 1 control piston, force-equalised

### Specification

- [1] training system providing an introduction to the fundamentals of hydraulic control engineering, BIBB concept
- [2] perforated metal panel for quick component fixing
- [3] oil drip tray
- [4] standard industrial hydraulic components
- [5] various multi-way valves, pressure limiting, check, restrictor, flow control and non-return valves
- [6] hydraulic motor
- [7] diaphragm accumulator
- [8] weighted piston with guard
- [9] pressure hoses with self-closing quick-couplers
- [10] drive unit with gear pump

### Technical data

#### Assembly panel

- LxH: 1420x700mm

#### Drive unit

- with gear pump
- working pressure: 100bar
- flow rate: 4cm<sup>3</sup> per revolution
- power output: 1,5kW
- speed: 1500min<sup>-1</sup>

#### Oil tank capacity

- 25L

#### Measuring tank

- 3L, transparent

#### Diaphragm accumulator

- 1L
- opening pressure: 140bar

#### Pressure hoses

- type 1SN DN 6
- max. 225bar

#### Emergency-off button

- 230V, 60Hz, 3 phases
- 400V, 50Hz, 3 phases
- 400V, 60Hz, 3 phases
- LxWxH: 1700x740x1700mm
- Weight: approx. 350kg

### Scope of delivery

- 1 training system, complete
- 1 set of instructional material

# RT 700

## Training system: fundamentals of hydraulics

Optional accessories

080.70100

RT 701

Components Set Electrohydraulics