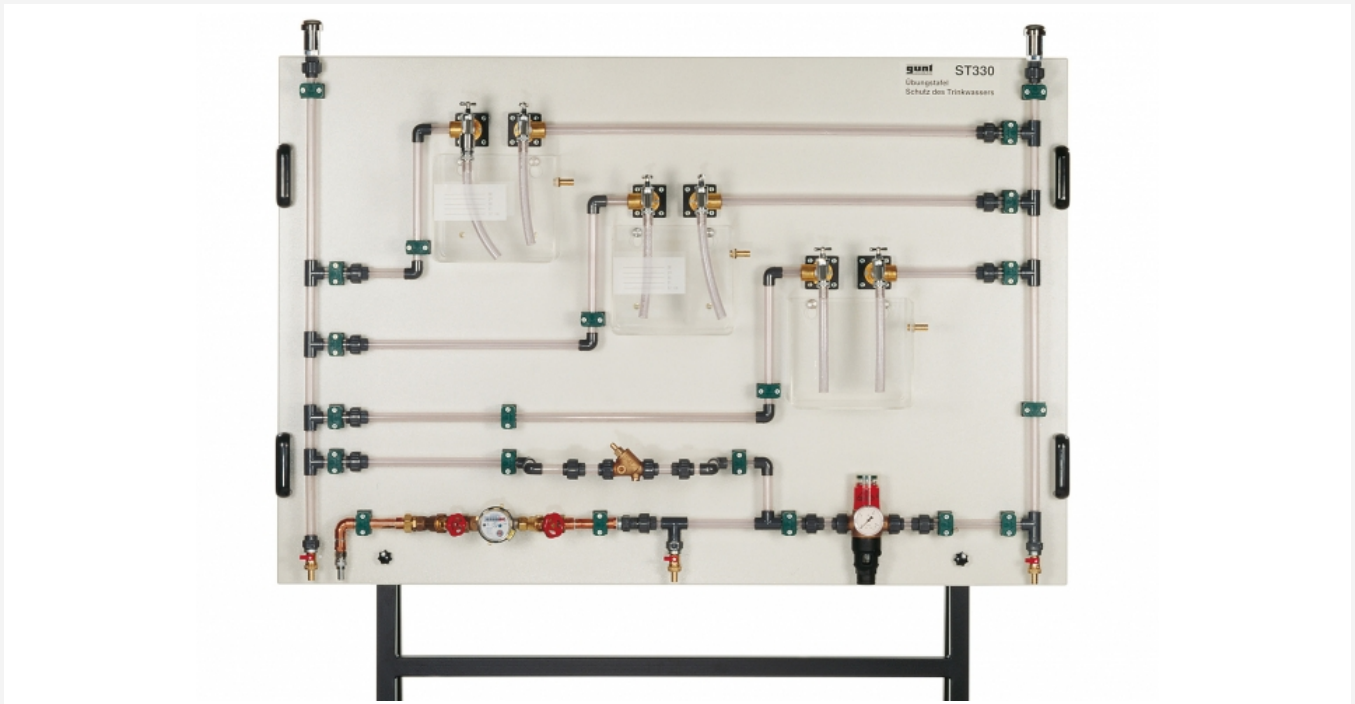


ST 330

Protection of drinking water training panel



Description

- safety and hygiene of drinking water pipes
- drinking water installation for a three-floor house with cellar
- investigations on the return of contaminated water back into the drinking water pipe

An open pipe system that simulates a domestic installation for drinking water with four different levels is mounted on the panel of the trainer.

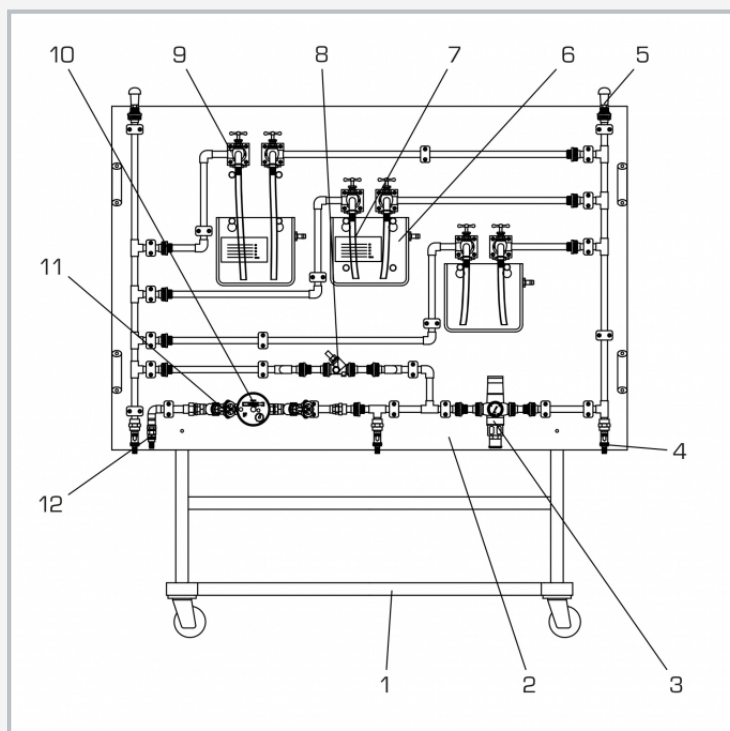
The levels represent the cellar (drinking water connection level) and three floors. It is possible to simulate a pipe fracture or a pressure drop. During this process the return of contaminated water into the drinking water pipe can be observed.

Learning objectives/experiments

- function of various safety devices
 - ▶ pipe separator
 - ▶ backflow preventer
 - ▶ pipe vents
- prevention of the return of contaminated water back into the drinking water pipe

ST 330

Protection of drinking water training panel



1 frame, 2 panel, 3 pipe separator, 4 drain tap, 5 riser vent, 6 water tank, 7 hose, 8 backflow preventer, 9 outlet valve, 10 water meter, 11 angle seat valve, 12 water feed

Specification

- [1] Simulation of 3 floors and a cellar of a house
- [2] Devices to prevent the return of contaminated water into the drinking water pipe
- [3] Possible simulations: pipe fracture, pressure drop
- [4] Pipe system made of transparent material
- [5] 2 risers with vent
- [6] 6 outlet valves with hose connections
- [7] 3 transparent water tanks
- [8] Pipe separator, backflow preventer and riser vent as safety devices
- [9] Water meter in feed pipe

Technical data

- 2 backflow preventers: DN 20
- 1 pipe separator: DN 20
- 2 riser vents: DN 20
- 1 flow rate pipe vent with backflow preventer: DN 20
- 1 flow rate pipe vent without backflow preventer: DN 20
- 2 sealing plugs: DN 20
- 2 pipe sections: DN 20
- 3 Plexiglass tanks: 6,5L

lxwxh: 1650x200x1100mm (panel)

Weight: approx. 45kg (panel)

Required for operation

cold water connection: 1,5bar

Scope of delivery

- 1 trainer
- 1 manual