

TM 170

Balancing apparatus



Description

- representation of the fundamental processes involved in balancing
- static and dynamic imbalance

Imbalances on rotating machines are often the cause of disruptive vibrations and noise. During imbalance, the principal axis of inertia or centre of gravity of the rotating machine component is outside its axis of rotation. By adding or removing masses, the centre of gravity or the principal axis of inertia can be shifted so that both coincide with the axis of rotation. This process is called balancing. The machine component is then balanced and runs without vibration.

The TM 170 experimental unit can be used to demonstrate imbalance and the balancing process clearly. The difference between a static and a dynamic imbalance can be shown. Imbalance is determined and balanced by appropriate measures.

The main element of the experimental unit is a smooth shaft to which four variable imbalance masses are attached at any angular and longitudinal position. The shaft is mounted on ball bearings. It is driven by a variable-speed electric motor and a belt. The speed of the shaft is displayed digitally.

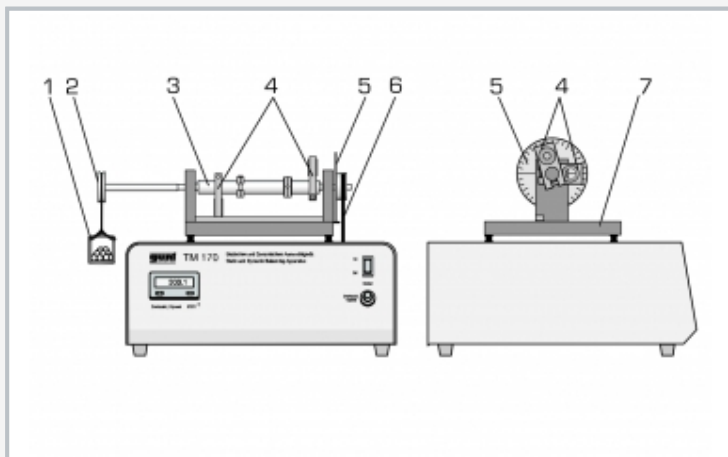
In order to determine the imbalance, a defined external moment is applied via an additional pulley with weights. This moment is compared to the moment of the imbalance masses. A transparent cover protects against contact with rotating parts and allows a clear view of the shaft. Unwanted vibrations are suppressed by using an elastic bearing for the foundation.

Learning objectives/experiments

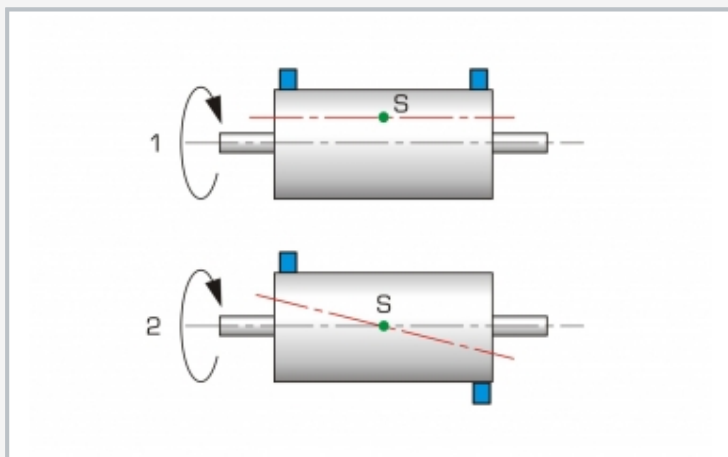
- demonstration of imbalance vibrations at different speeds
- comparison of static, dynamic or general imbalance
- determine an imbalance
- perform a balancing operation

TM 170

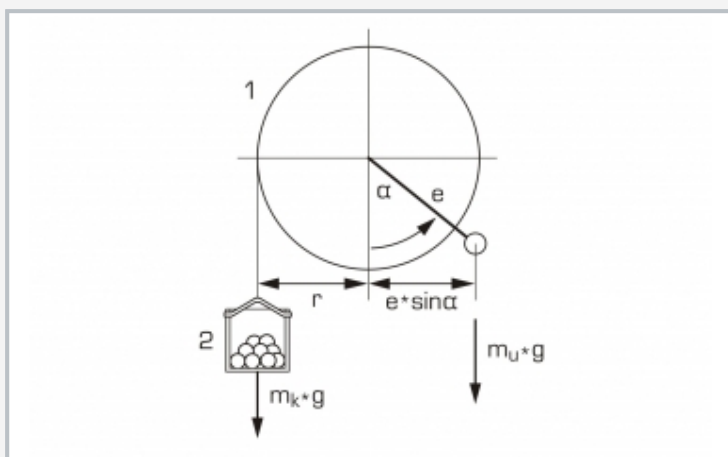
Balancing apparatus



1 variable weight, 2 pulley, 3 shaft, 4 imbalance masses, 5 angular scale, 6 drive belt, 7 foundation with elastic bearing



1 static imbalance, 2 dynamic imbalance; S centre of gravity; blue: mass distribution, red: principal axis of inertia



Determining imbalance:

1 pulley, 2 variable weight, r radius, e eccentricity, α angle of deflection, m_u mass of the imbalance, g gravitational acceleration, m_k mass of the variable weight

Specification

- [1] demonstration of static and dynamic imbalance
- [2] determine imbalance
- [3] processes involved in balancing
- [4] transparent protective cover for safe operation
- [5] foundation with elastic bearing
- [6] integrated angular and longitudinal scale
- [7] digital speed display

Technical data

Number of imbalance masses: 4

Max. total imbalance: 880cmg

Measuring ranges

■ speed: 0...1400min⁻¹

230V, 50Hz, 1 phase

230V, 60Hz, 1 phase; 120V, 60Hz, 1 phase

UL/CSA optional

LxWxH: 420x400x380mm

Weight: approx. 26kg

Scope of delivery

- 1 experimental unit
- 1 set of tools
- 1 set of weights
- 1 set of instructional material

TM 170

Balancing apparatus

Static and dynamic balancing apparatus

Optional accessories

020.30009

WP 300.09

Laboratory trolley